

(Technical)

Document No. : MJL-LD-AN-3

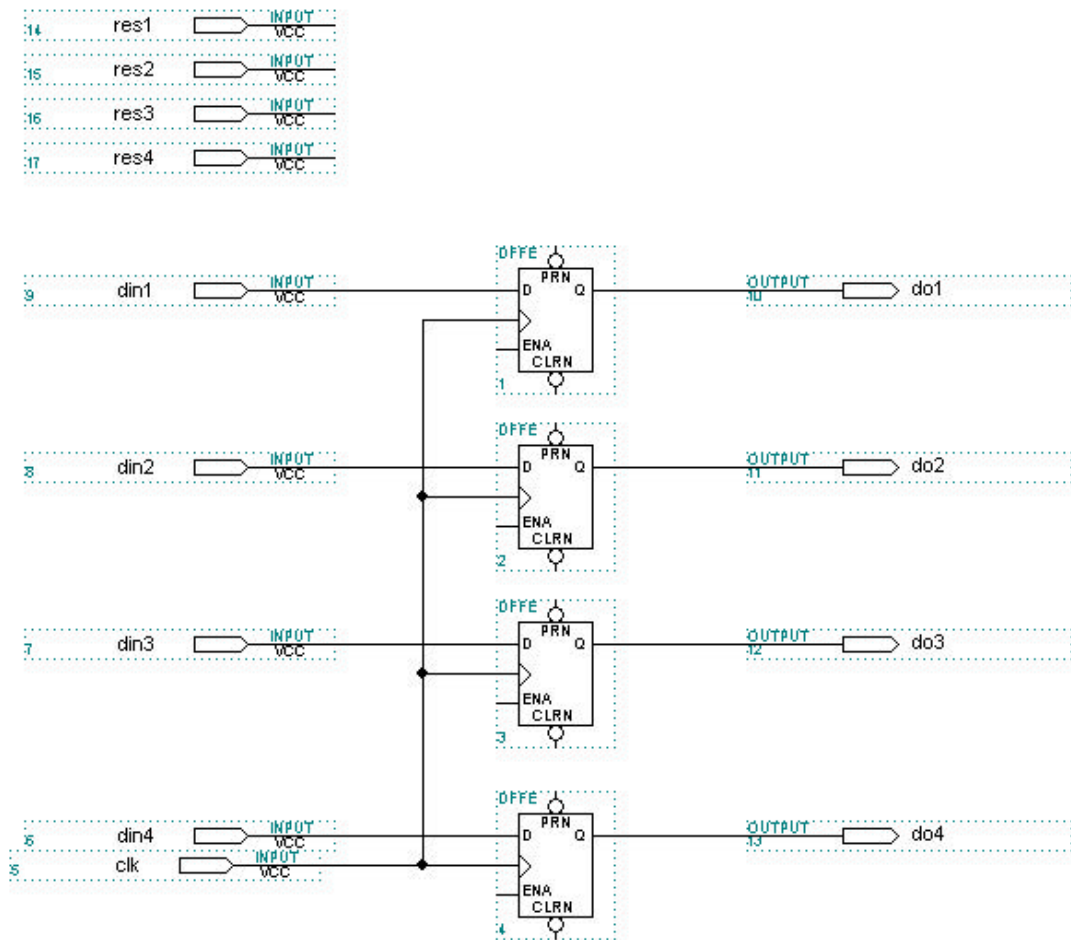
Author: [twaha@mj1.co.kr]

Version: 1.0

Date: 2000 3 23

Subject: Design - (reserved pins)

Altera Device



1 Pin Assignment

1.

Used Pins :

Unused Pins :

Reserved Pins :

가 EPF6016AQC240-3

가

compile (place and route)
PQFP240 package

Altera software

MAX+plus II 가

Report File

** DEVICE SUMMARY **

Chip/ POF	Device	Input Pins	Output Pins	Bidir Pins	LCs	% Utilized	LCs
reserved_pins	EPF6016AQC208-3	5	4	0	4	0 %	

User Pins:

5 4 0

Project Information

c:\mywork\reserved_pins.rpt

** PROJECT COMPILATION MESSAGES **

Warning: Ignored unnecessary INPUT pin 'res4'

Warning: Ignored unnecessary INPUT pin 'res3'

Warning: Ignored unnecessary INPUT pin 'res2'

Warning: Ignored unnecessary INPUT pin 'res1'

Device-Specific Information :

c:\mywork\reserved_pins.rpt

reserved_pins

** INPUTS **

Pin	LC	Row	Col	Primitive	Code	Fan-In		Fan-Out		Name
						INP	FBK	OUT	FBK	
24	-	-	--	INPUT	G	0	0	0	0	clk
205	-	A	--	INPUT		0	0	0	1	din1
206	-	A	--	INPUT		0	0	0	1	din2
207	-	A	--	INPUT		0	0	0	1	din3
208	-	A	--	INPUT		0	0	0	1	din4

** OUTPUTS **

Pin	LC	Row	Col	Primitive	Code	Fan-In		Fan-Out		Name	
						INP	FBK	OUT	FBK		
1	-	A	--	OUTPUT		\$	0	1	0	0	do1
3	-	A	--	OUTPUT		\$	0	1	0	0	do2
2	-	A	--	OUTPUT		\$	0	1	0	0	do3
204	-	-	01	OUTPUT		\$	0	1	0	0	do4

PCB

24 , 205 , 206 , 207 , 1 , 3 , 2 , 204

PCB

report file

PQFP240

reserved pin

PCB

no connection

가

가

PCB 가 53 , 54 , 55 , 56
가 가 ?

가 , CHIP 가
가 ?

MAX+plus II software가 compile chip GND
? 가 PCB pattern

PCB ground plane Altera Chip ground

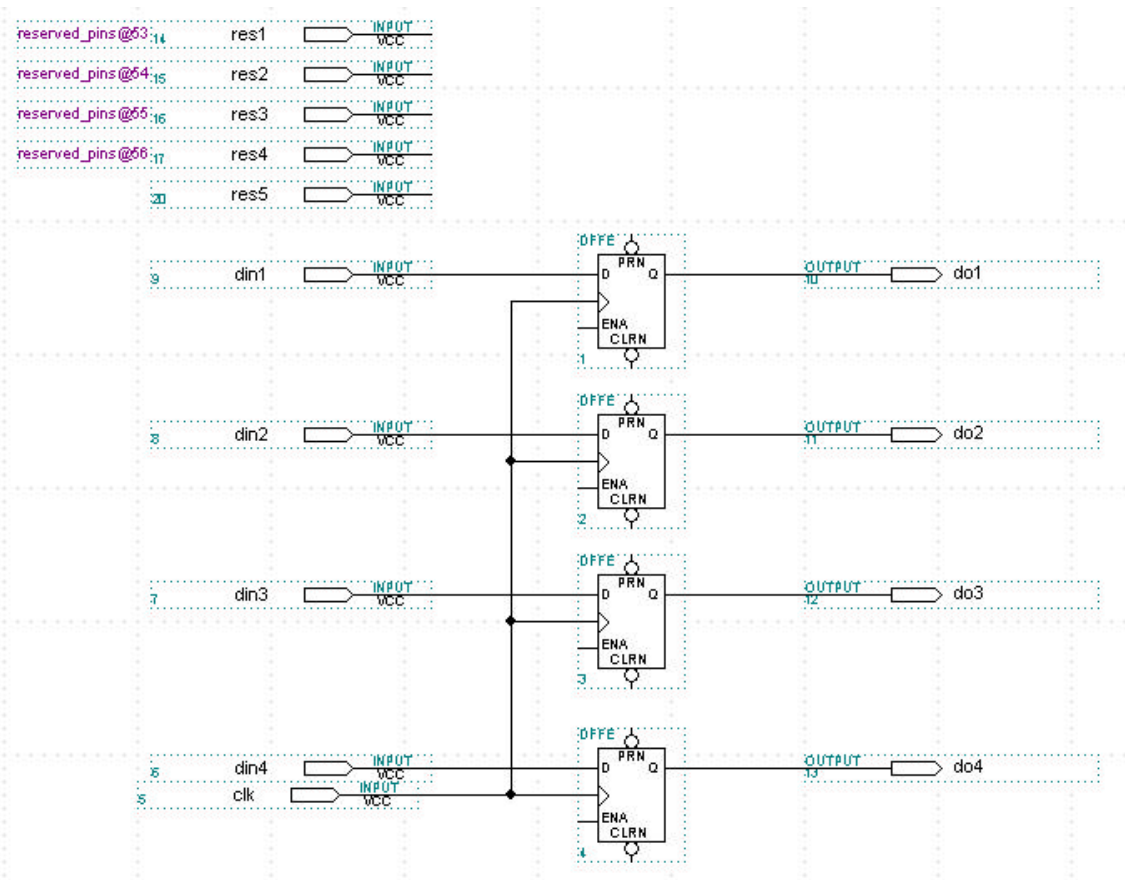
가 가?
PCB FPGA

res1, res2, res3, res4, res5 (FPGA
) PCB

가 , MAX+plus II ?

INPUT, OUTPUT SYMBOL MOUSE
ASSIGN Pin/Location/Chip... Pin/Location/Chip

Target Device	Pin	, Device 가	가
---------------	-----	------------	---



2 Reserved_pin Assignment

compile report file

Project Information c:\mywork\reserved_pins.rpt

** PROJECT COMPILATION MESSAGES **

Warning: Ignored unnecessary INPUT pin 'res5'

Info: Reserved unused input pin 'res4' for future use because it has a pin assignment -- pin is tri-stated and must be connected to your board

Info: Reserved unused input pin 'res3' for future use because it has a pin assignment -- pin is tri-stated and must be connected to your board

Info: Reserved unused input pin 'res2' for future use because it has a pin assignment -- pin is tri-stated and must be connected to your board

Info: Reserved unused input pin 'res1' for future use because it has a pin assignment -- pin is tri-stated and must be connected to your board

tri-state 가

PCB

Revision History

- 2000-3-23 - Ver 1.0: Initialize Release...