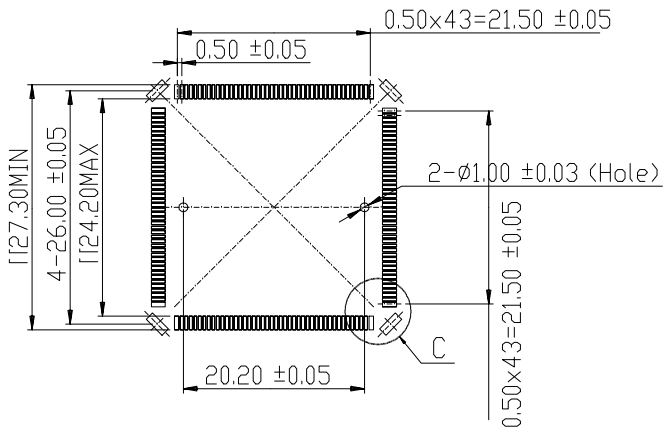


8 7 6 5 4 3 2 1

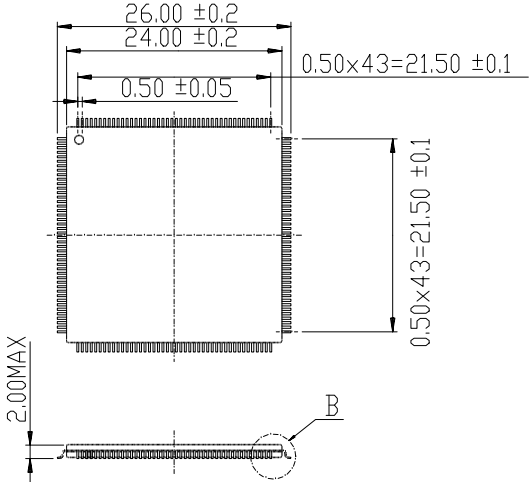
THE DRAWINGS AND INFORMATION CONTAINED HEREIN ARE THE EXCLUSIVE PROPERTY OF ACTEL. THE INFORMATION, DRAWINGS AND DESIGN CONCEPTS CONTAINED HEREIN ARE CONFIDENTIAL/PROPRIETARY. SHALL BE MAINTAINED IN STRICT CONFIDENCE, AND SHALL NOT BE RELEASED TO ANY THIRD PARTY WITHOUT THE EXPRESS WRITTEN PERMISSION OF ACTEL.

ECN NO.	REV.	DESCRIPTION OF CHANGE	EFFECTIVE DATE	ORIGINATOR
10709015/0	0	Initial	3/15/97	Thomas
980320	1	New form	10/16/98	Kuang

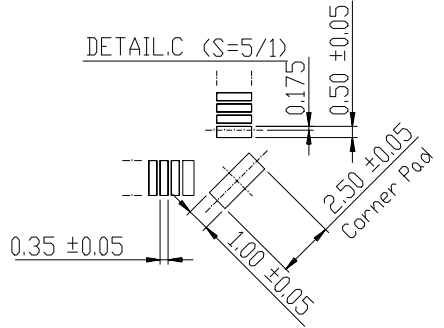
Recommended PCB Layout



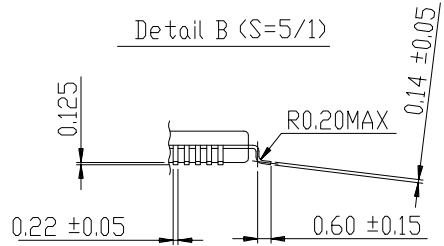
Applicable IC Dimension



DETAIL C (S=5/1)



Detail B (S=5/1)



ACTEL CONFIDENTIAL

UNLESS OTHERWISE SPECIFIED DIMENSIONS ARE IN MILLIMETERS		PROJECTION		ACTEL CORP 955 E ARQUES AVE SUNNYVALE CA 94086		Actel	
DECIMAL X.X ± 0.10 X.XX ± 0.05 X.XXX ± 0.03	ANGULAR ± 1°	APPROVALS	DATE	TITLE Yamai chi TQ176 Surface Mount Socket			
MATERIAL SEE NOTES	FINISH SEE NOTES	DRAWN R. Kuang	9/9/98	CHECKED	VENDOR NAME: N/A	ACTEL DWG. NUMBER 1-07-09015	REV 1
DO NOT SCALE DRAWING		ENG'R		RELEASED	SIZE B	VENDOR SID(PART) NUMBER IC149-176-166-S5	VENDOR DWG. NUMBER N/A
					Actel Part#: SY-TQ176	SCALE: NONE	SHEET 2 OF 2

8 7 6 5 4 3 2 1