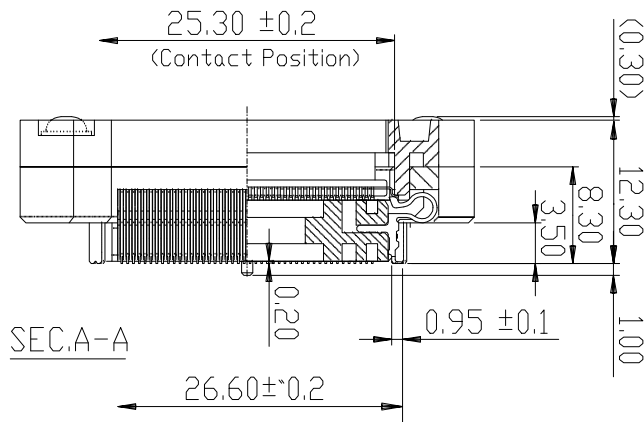
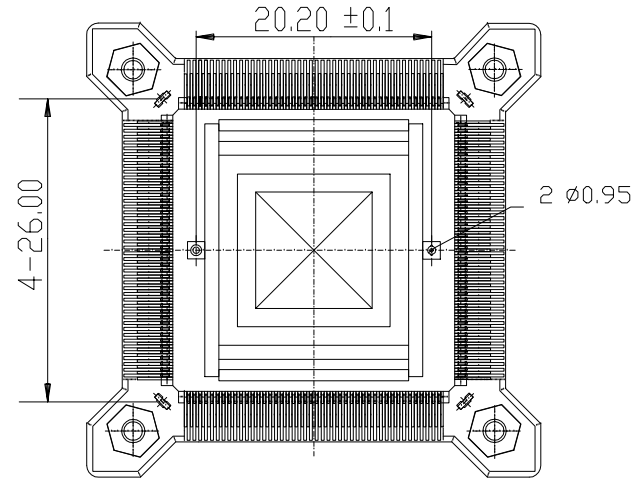
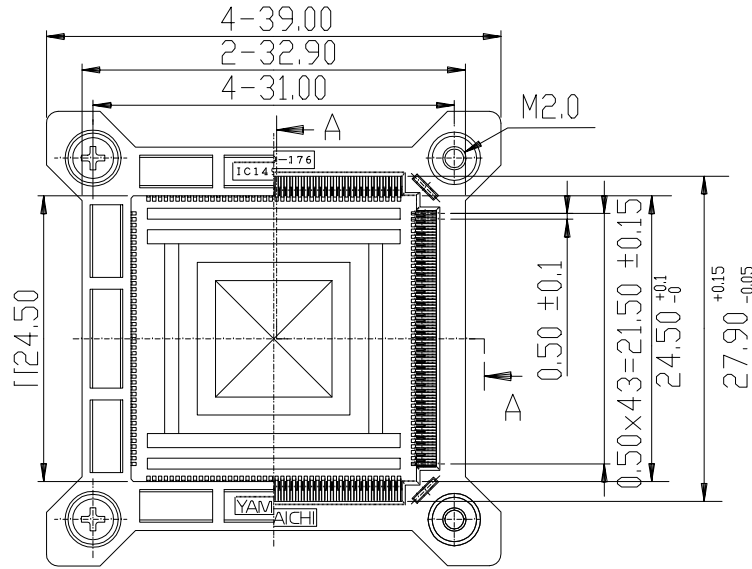


THE DRAWINGS AND INFORMATION CONTAINED HEREIN ARE THE EXCLUSIVE PROPERTY OF ACTEL.  
 THE INFORMATION, DRAWINGS AND DESIGN CONCEPTS CONTAINED HEREIN ARE CONFIDENTIAL/PROPRIETARY. SHALL  
 BE MAINTAINED IN STRICT CONFIDENCE, AND SHALL NOT BE RELEASED TO ANY THIRD PARTY WITHOUT THE EXPRESS  
 WRITTEN PERMISSION OF ACTEL.

ECN NO.	REV.	DESCRIPTION OF CHANGE	EFFECTIVE DATE	ORIGINATOR
10709015/0	0	Initial	3/15/97	Thomas
980320	1	New form	10/16/98R	Kuang



Notes:

1. Controlling dimensions are in millimeters.
2. Yamai chi socket number IC149-176-166-S5
3. Make 2 holes on PCB when you use socket with the guide pin. Do not plate the inside of the holes.

ACTEL CONFIDENTIAL

UNLESS OTHERWISE SPECIFIED DIMENSIONS ARE IN MILLIMETERS DECIMAL X.X ± 0.10 X.XX ± 0.05 X.XXX ± 0.03	PROJECTION	ACTEL CORP 955 E ARQUES AVE SUNNYVALE CA 94086		
	APPROVALS	DATE	TITLE	
MATERIAL	CHECKED	VENDOR NAME: Yamai chi	ACTEL DWG. NUMBER	REV
FINISH	ENC'R	SIZE	VENDOR SID(PART) NUMBER	REV
DO NOT SCALE DRAWING	RELEASED	B	IC149-176-166-S5	1
		Yamai chi TQ176 Surface Mount Socket	N/A	1
		Actel Part#: SY-TQ176	SCALE: NONE	SHEET 1 OF 2