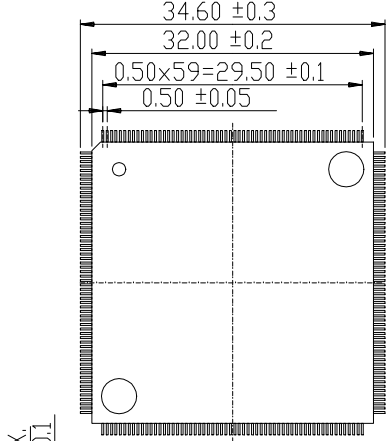


8 7 6 5 4 3 2 1

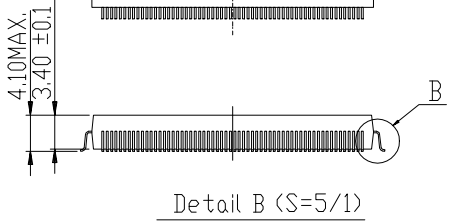
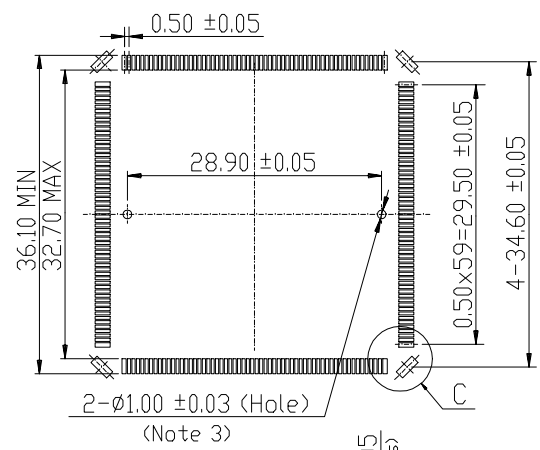
THE DRAWINGS AND INFORMATION CONTAINED HEREIN ARE THE EXCLUSIVE PROPERTY OF ACTEL.
 THE INFORMATION, DRAWINGS AND DESIGN CONCEPTS CONTAINED HEREIN ARE CONFIDENTIAL/PROPRIETARY. SHALL
 BE MAINTAINED IN STRICT CONFIDENCE, AND SHALL NOT BE RELEASED TO ANY THIRD PARTY WITHOUT THE EXPRESS
 WRITTEN PERMISSION OF ACTEL.

ECN NO.	REV.	DESCRIPTION OF CHANGE	EFFECTIVE DATE	ORIGINATOR
10709016/0	0	Initial	3/5/97	Thomas
980320	1	New form	10/16/98	R. Kuang

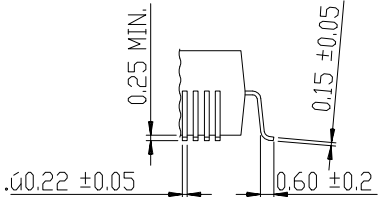
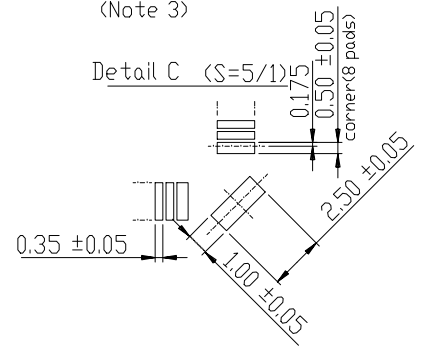
Applicable IC Dimension



Recommended PCB Layout



Detail C (S=5/1)



Notes:

- Controlling dimensions are in millimeters.
- Make 2 holes on PCB when you use socket with the guide pin. Do not plate the inside of the holes.

ACTEL CONFIDENTIAL

UNLESS OTHERWISE SPECIFIED DIMENSIONS ARE IN MILLIMETERS DECIMAL X.X ±0.10 X.XX ±0.05 X.XXX ±0.03 ANGULAR ±1°	PROJECTION	ACTEL CORP 955 E ARQUES AVE SUNNYVALE CA 94086			
	APPROVALS	DATE	TITLE Yamai chi PQ240 Surface Mount Socket		
MATERIAL SEE NOTES	DRAWN R. Kuang	9/9/98	VENDOR NAME: Yamai chi	ACTEL DWG. NUMBER 1-07-09016	REV 1
FINISH SEE NOTES	CHECKED		SIZE B	VENDOR SID(PART) NUMBER IC149-240-167-S5	VENDOR DWG. NUMBER N/A
DO NOT SCALE DRAWING	ENG'R		Actel Part#: SY-PQ240	SCALE: NONE	SHEET 2 OF 2
	RELEASED				

8 7 6 5 4 3 2 1