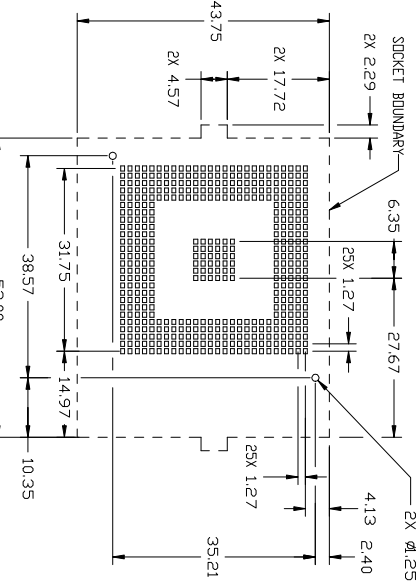
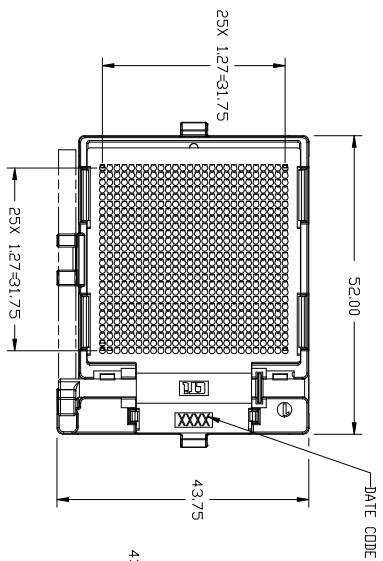
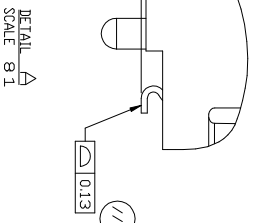
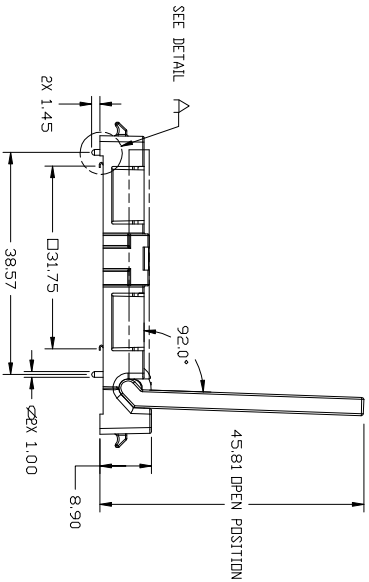


THE DRAWINGS AND INFORMATION CONTAINED HEREIN ARE THE EXCLUSIVE PROPERTY OF ACTEL. THE INFORMATION, DRAWINGS AND DESIGN CONCEPTS CONTAINED HEREIN ARE CONFIDENTIAL/PROPRIETARY. SHALL BE MAINTAINED IN STRICT CONFIDENCE, AND SHALL NOT BE RELEASED TO ANY THIRD PARTY WITHOUT THE EXPRESS WRITTEN PERMISSION OF ACTEL.

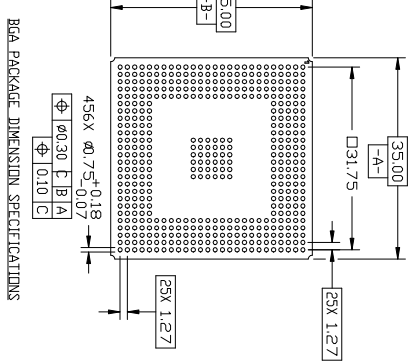
ECN NO.	REV.	DESCRIPTION OF CHANGE	EFFECTIVE DATE	ORIGINATOR
990092	0	Initial	3/30/99	Ray Kuang



RECOMMENDED PCB PAD PATTERN



DETAIL A  
SCALE 8:1



BGA PACKAGE DIMENSION SPECIFICATIONS

- MATERIAL:
- 1) ALL PLASTIC COMPONENTS - PPS/PEI OR EQUIV.
  - 2) CAV - ZINC-ALUMINUM
  - 3) CONTACTS - BeCu, SnPb OVER Ni PLATING.

LEGEND	NUMBER OF USES
⊙	CRITICAL
⊙	NUMBER OF USES

ACTEL CONFIDENTIAL

UNLESS OTHERWISE SPECIFIED DIMENSIONS ARE IN MILLIMETERS		PROJECTION		ACTEL CORP 955 B ARQUES AVE SUNNYVALE, CA 94086	
DECIMAL	ANGULAR	APPROVALS	DATE	TITLE	SCALE: NONE
XX ±0.10	±1°	RAY Kuang	3/22/99	Z-1LK Surface Mount Socket for PB6453x35mm-456-127mm ball pitch	SHEET 1 OF 1
XXXX ±0.03		CHECKED		VERSION NAME: WELLS-C11	
		FINISH	SEE NOTES	ACTEL PART# SC-BG456	
		DO NOT SCALE DRAWING			

