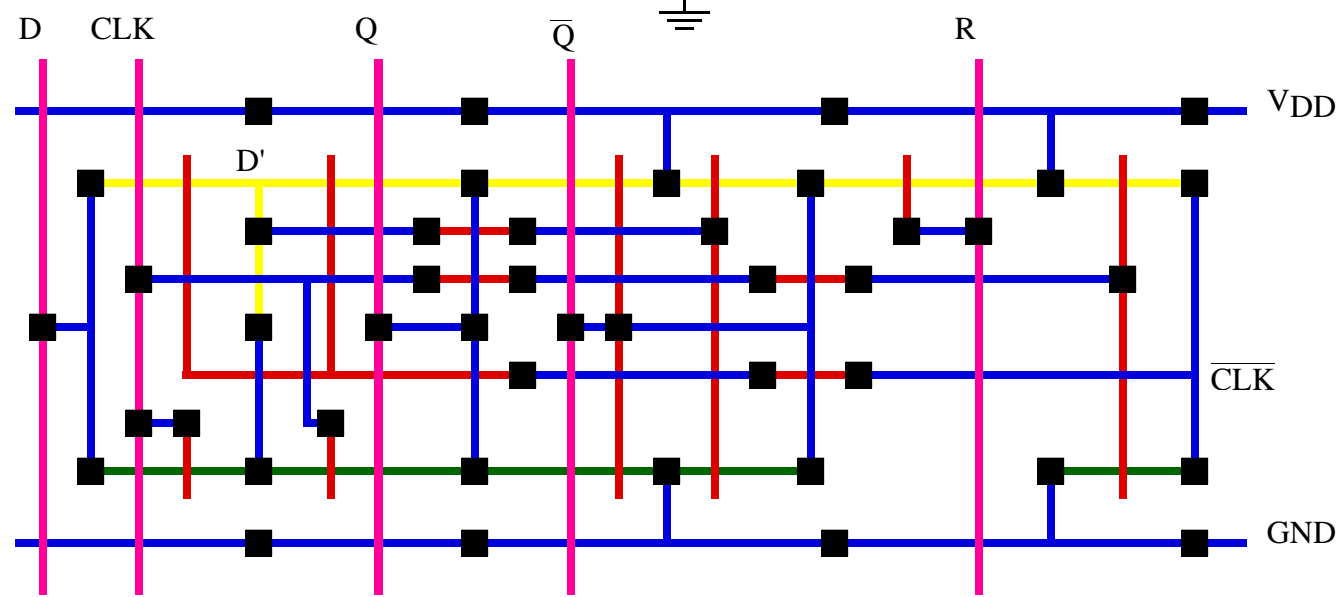
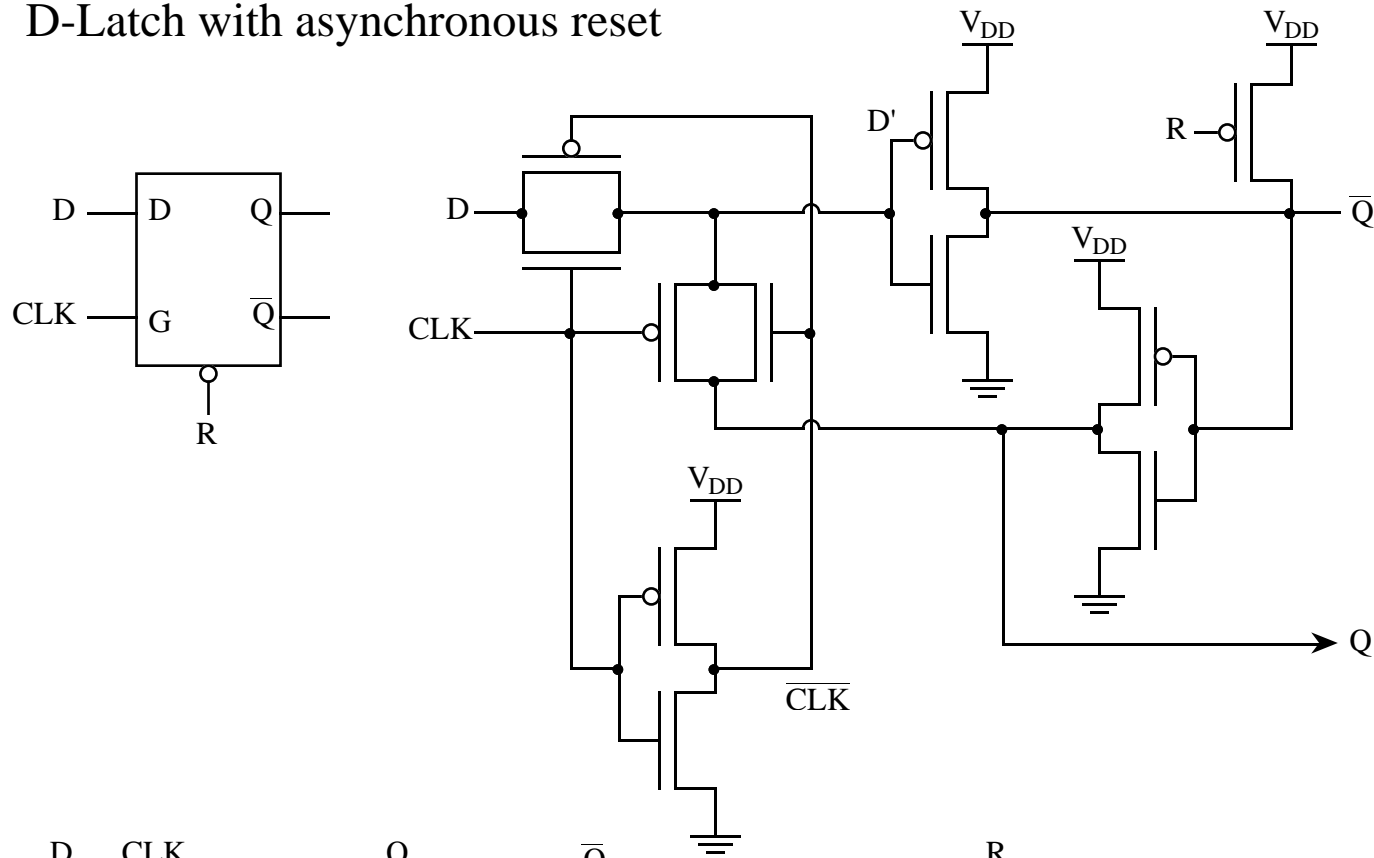


D-Latch with asynchronous reset



LEGEND

- metal1
- metal2
- poly
- p+ diff
- n+ diff
- m1-to-poly contact
- p+ diffusion contact
- n+ diffusion contact
- m1-to-m2 contact
- p-substrate contact
- n-well contact